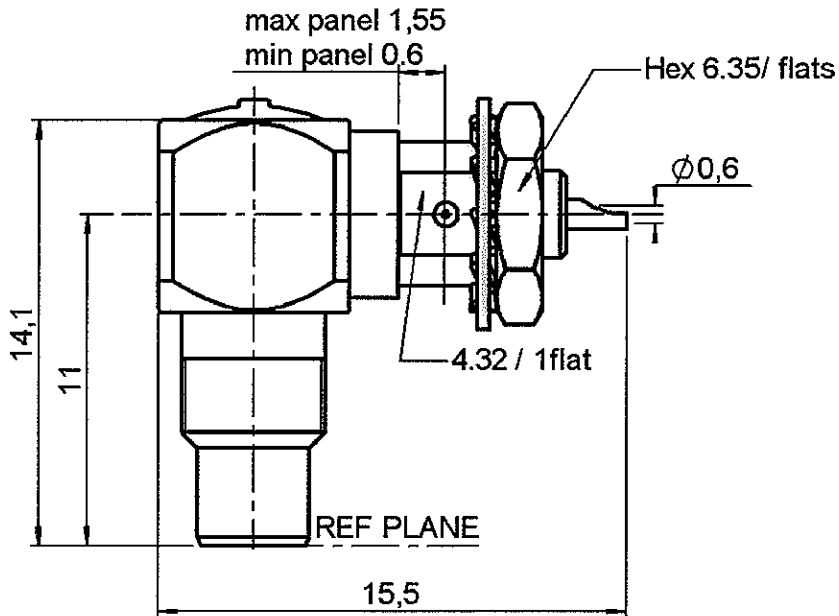


**MALE BULKHEAD RECEPTACLE**

**FRONT MOUNT - SOLDER POT**

**R112.670.000**

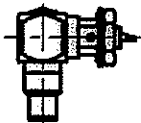
Series : SMC



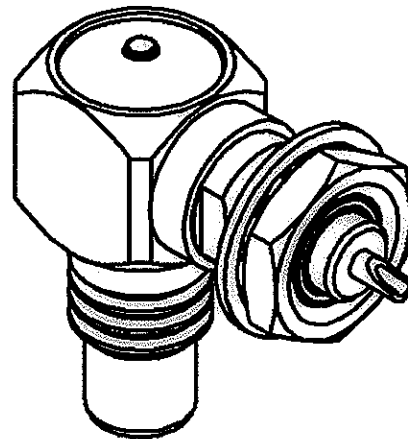
**PANEL CUT OUT**



mm		
	Maxi	mini
A	5	4.9
B	4.6	4.45



Scale 1/1



All dimensions are in mm.

COMPONENTS	MATERIALS	PLATING
BODY	BRASS	GOLD 0.2 OVER NICKEL 2 µm
CENTRE CONTACT	BRASS	GOLD 1.3 OVER NICKEL 2 µm
OUTER CONTACT	-	- µm
INSULATOR	PTFE	
GASKET	-	
OTHERS PARTS	BRASS	GOLD 0.2 OVER NICKEL 2 µm
-	-	-
-	-	-



Edition : 9925 B

Design changes may be in order to improve the product.

**MALE BULKHEAD RECEPTACLE**

**R112.670.000**

**FRONT MOUNT - SOLDER POT**

Series : SMC

**ELECTRICAL CHARACTERISTICS**

Impedance		50 Ω
Frequency		0-10 GHz
VSWR	1.05* +	0.008 x F(GHz) Maxi
Insertion loss		0.03* √F(GHz) dB Maxi
RF leakage	- (	62 - F(GHz)) dB mini
Voltage rating		335 Veff Maxi
Dielectric withstanding voltage		1000 Veff mini
Insulation resistance		1000 MΩ mini

**SPECIFICATION**

**ENVIRONMENTAL**

Operating temperature	-65/+165 °C
Hermetic seal	NA Atm.cm3/s
Leakage – pressurised only	NA Mpa

**OTHERS CHARACTERISTICS**

Assembly instruction NA

Others :  
\* Coaxial Transmission Line Only

**MECHANICAL CHARACTERISTICS**

Centre contact retention		
Axial force – Mating end		10 N mini
Axial force – Opposite end		10 N mini
Torque		NA N.cm mini
Recommended torque		
Mating		NA N.cm
Panel nut		60 N.cm
Mating life		500 Cycles mini
Weight		0.000 g



**RADIALL®**

Edition : 9925 B

Design changes may be in order to improve the product.